

Mounting Manual for PROFILINE quad



Prior to any installation work the mains power has to be disconnected.

1. Notes to this mounting manual

- The information in this mounting manual can be changed at any time without previous notice.
- This mounting manual has been composed with utmost care, in order to explain all details in respect of the operation of the product. Should you, nevertheless, have questions or discover errors in this manual, please contact us.
- We do not answer for direct or indirect damages, which could occur through incorrect use of this manual.
- Please read the instructions carefully before setting-up of the product, only once you have correctly understood all information for the installation and of the operation.
- **The installation must only be carried out by a skilled person.**
- It is prohibited to reproduce, to store in a computer system or to transfer this publication, even parts of it. The copyright remains with all the rights at MOSER-BAER AG – CH 3454 Sumiswald / SWITZERLAND and BÜRK MOBATIME GmbH, D-78026 VS-Schwenningen / Germany.

2. Handling instructions

- The clock must be transported upright in its original packaging and has to be stored dry.
- Clean the cover glass with wet (leather-) cloth.
- Never use solvents, aerosol or organic cleaning products.
- The housing can be cleaned with standard cleaning agents.

3. Open the clock

- For all maintenance and cabling work, the clock has to be separated from the mains power supply.
- Unscrew the two screws of the profiles on the side of the clock. Remove the profile without jam, it is protected against fall out by a chain.
- Pull out dial (with movement) lateral out of the profiles and disconnect connector(s) from movement.

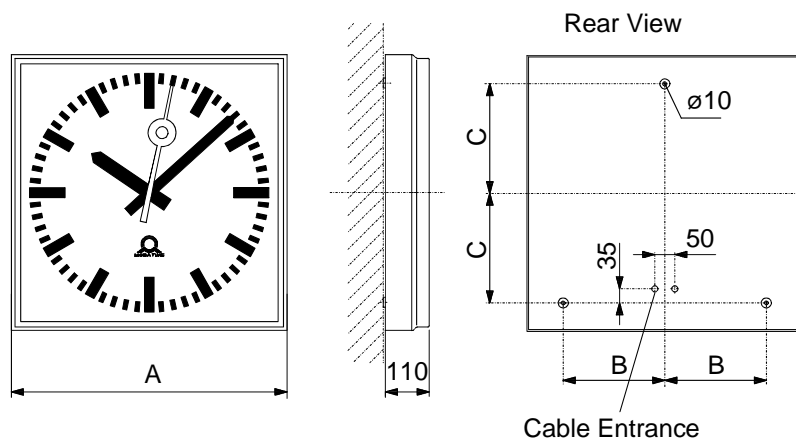
4. Mounting guidelines

Single sided (E) types	Double sided (W,D,S,WA,DA,SM,ZM) Types
PLv.dm.Q1.www.xxx.y.zz	PLv.dm.Q2.www.xxx.y.zz

- Legend:
- v = illumination (0: without illumination, 2: with LED illumination)
 - dm = nominal size (□40x40, □50x50, □60x60, □80x80 cm)
 - www = movement code, refer enclosed installation manual pt.5
 - xxx = dial (300: dial with line marks, 315: dial with Arabic numerals)
 - y = cover glass (1: mineral glass, 2: impact protection)
 - zz = mounting types: 00: wall mounting (E)
01: wall mounting, (W) with two metal holders
10: wall bracket (WA)
20: ceiling suspension (DA)
21: ceiling mounting (D) with two metal holders
30: lateral pole mounting (□ 50, 60, 80 cm only) (SM)
40: central pole mounting (□ 50, 60, 80 cm only) (ZM)
50: socket mounting (S) with two metal holders

4.1 Wall mounting (E, mounting type zz = 00)

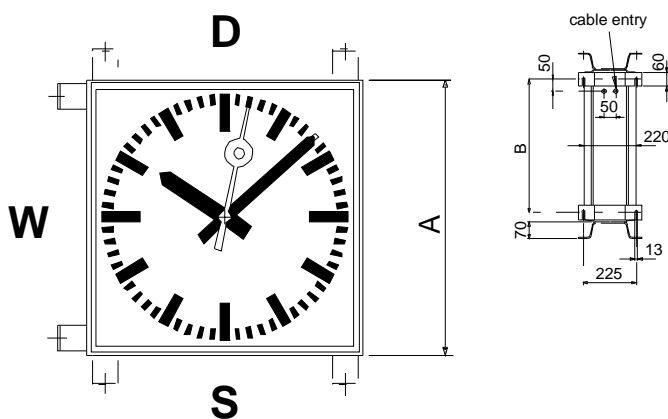
The single-sided clock is fixed via three holes $\varnothing 10$ on the backplate of the clock.



Dimensions [mm]

Nominal-□	A	B	C
400	446	155	175
500	546	205	225
600	646	255	275
800	846	355	375

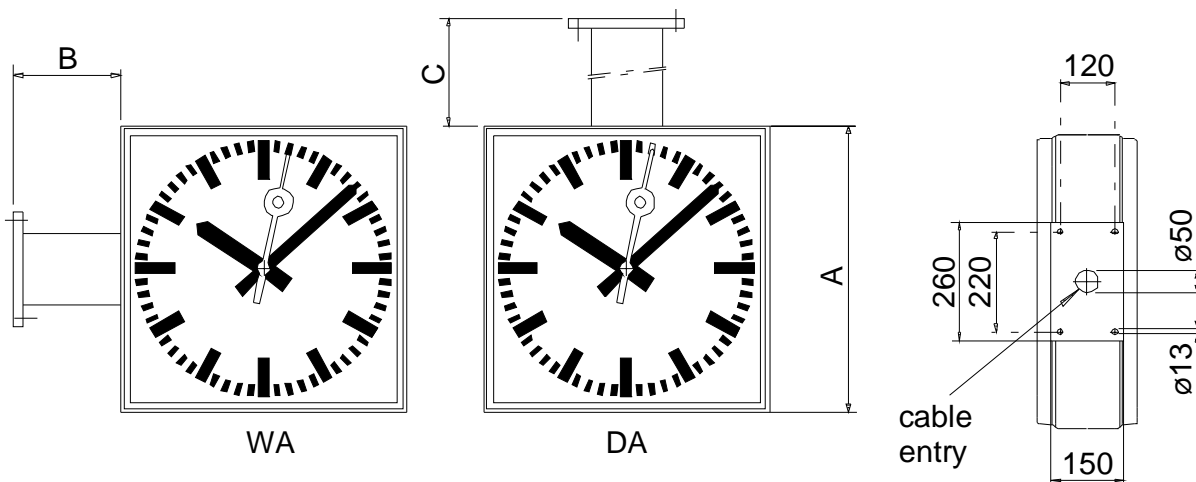
4.2 Wall- (W, mounting type zz = 01), ceiling- (D, mounting type zz = 21) or socket mounting (S, mounting type zz = 50)



Dimension [mm]

Nominal-□	A	B
400	446	364
500	546	464
600	646	564
800	846	864

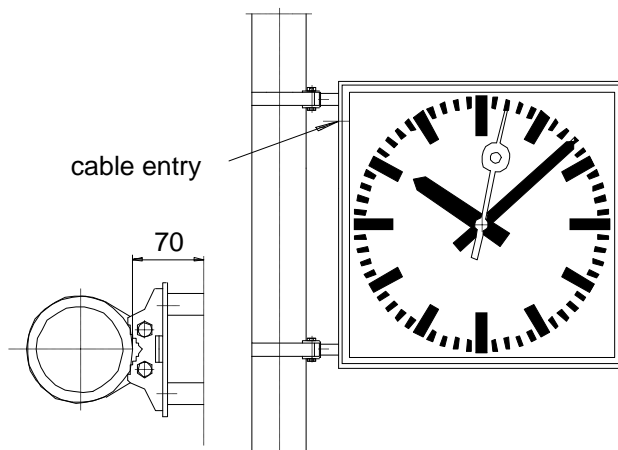
4.3 Wall bracket mounting (WA, mounting type zz = 10) and ceiling suspension (DA, mounting type zz = 20)



Dimension [mm]

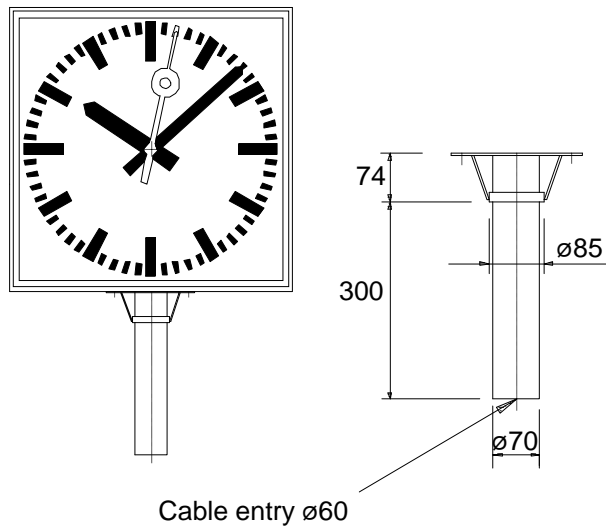
Nominal-□	A	B	C
400	446	150	400
500	546	180	500
600	646	240	600
800	846	320	800

4.4 Lateral pole mounting (SM, mounting type zz = 30)



For round poles with a diameter from 80 to 120 mm
 Stainless steel - strap range of 29 mm,
 For mounting, no special tools are required.

4.5 Central pole mounting (ZM, mounting type zz = 40)



for central-pole- \varnothing from 72 to 75 mm

5. Disposing



At the end of its lifecycle, do not dispose of your device in the regular household rubbish. Return your device to your supplier who will dispose of it correctly.

Subject to change without notice

HEADQUARTERS / PRODUCTION

MOSER-BAER AG
Spitalstrasse 7, CH-3454 Sumiswald
Tel. +41 34 432 46 46 / Fax +41 34 432 46 99
moserbaer@mobatime.com / www.mobatime.com

SALES WORLDWIDE

MOSER-BAER SA EXPORT DIVISION
19 ch. du Champ-des-Filles, CH-1228 Plan-les-Ouates
Tel. +41 22 884 96 11 / Fax + 41 22 884 96 90
export@mobatime.com / www.mobatime.com

SALES SWITZERLAND

MOBATIME AG
Stettbachstrasse 5, CH-8600 Dübendorf
Tel. +41 44 802 75 75 / Fax +41 44 802 75 65
info-d@mobatime.ch / www.mobatime.ch

MOBATIME SA
En Budron H 20, CH-1052 Le Mont-sur-Lausanne
Tél. +41 21 654 33 50 / Fax +41 21 654 33 69
info-f@mobatime.ch / www.mobatime.ch

SALES GERMANY, AUSTRIA

BÜRK MOBATIME GmbH
Postfach 3760, D-78026 VS-Schwenningen
Steinkirchring 46, D-78056 VS-Schwenningen
Tel. +49 7720 8535 0 / Fax +49 7720 8535 11
buerk@buerk-mobatime.de / www.buerk-mobatime.de